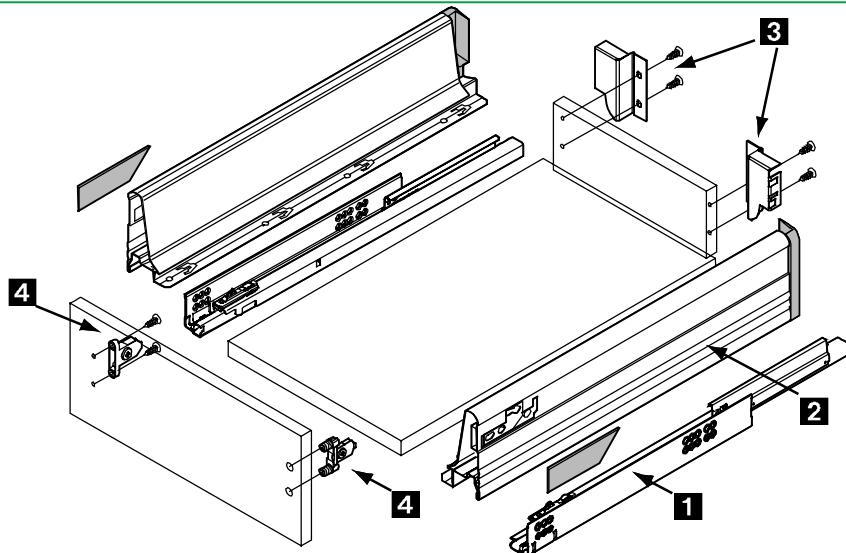


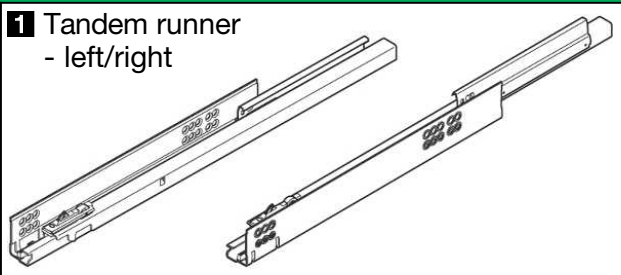
TANDEMBOX DRAWER SYSTEMS

INCLUDING INTEGRATED BLUMOTION SOFT CLOSING - STANDARD DRAWER M HEIGHT



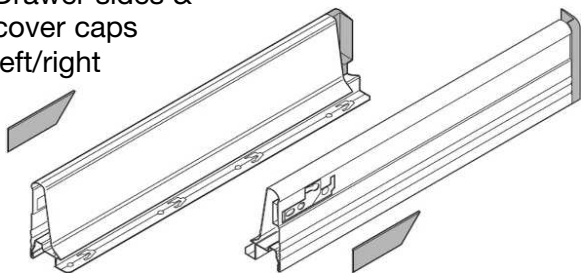
FOR THE FULL RANGE OF TANDEMBOX COMPONENTS AVAILABLE - PLEASE SEE THE MAIN WOODFIT CATALOGUE

1 Tandem runner
- left/right



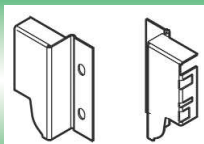
Nominal Length	30kg	50kg
270mm	558.2701B	
350mm	558.3501B	
400mm	558.4001B	
450mm	558.4501B	559.4501B
500mm	558.5001B	559.5001B
550mm	558.5501B	559.5501B
650mm		559.6501B

2 Drawer sides &
cover caps
left/right



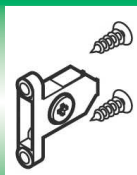
Nominal Length	Stainless Steel	Metallic Grey
270mm	358M2702I	358M2702S
350mm	358M3502I	358M3502S
400mm	358M4002I	358M4002S
450mm	358M4502I	358M4502S
500mm	358M5002I	358M5002S
550mm	358M5502I	
650mm	358M6502I	

3 Back
fixing
brackets
left/right



Grey	Z30M000SG
Nickel	Z30M000SN

4 Front
fixing
brackets
- pair



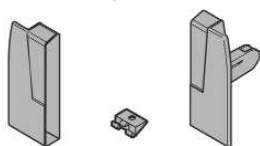
Screw-on	ZSF.3502
----------	----------



Knock-in	ZSF.3602
----------	----------



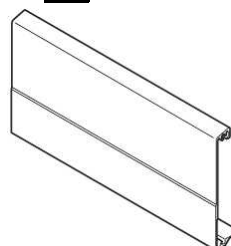
7a Inner drawer front fixing brackets
left/right



RAL 7037 dust grey	ZIF.70M0
--------------------	----------

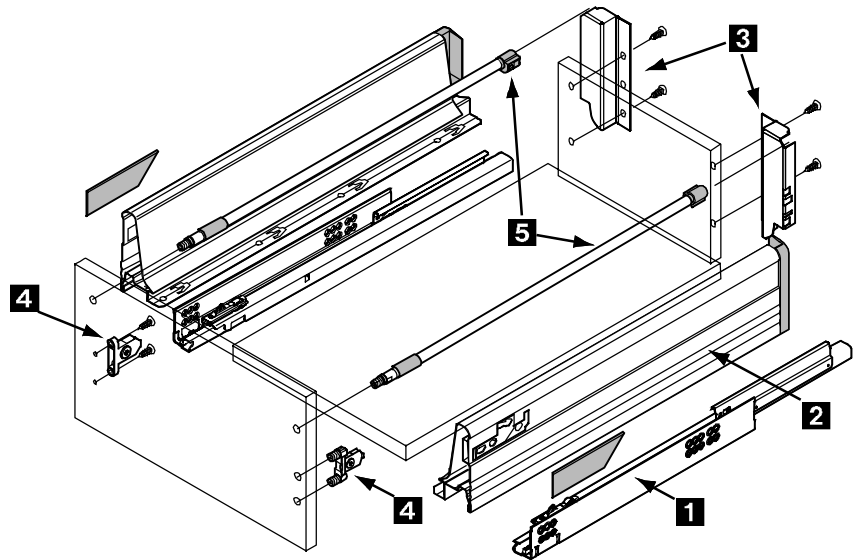
Inner drawer M height
- omit item 4 and add
items 7a & 7b

7b Inner drawer front

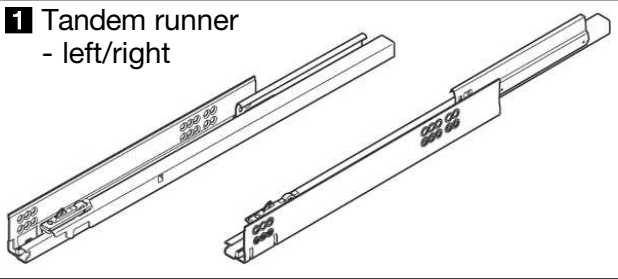


Grey	Z31A1081G
Nickel	Z31A1081N

Standard Drawer with low gallery B height - including integrated Blumotion soft closing

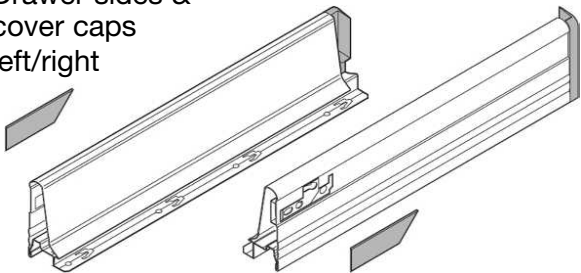


1 Tandem runner
- left/right



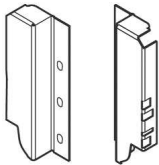
Nominal Length	30kg	50kg
270mm	558.2701B	
350mm	558.3501B	
400mm	558.4001B	
450mm	558.4501B	559.4501B
500mm	558.5001B	559.5001B
550mm	558.5501B	559.5501B
650mm		559.6501B

2 Drawer sides &
cover caps
left/right



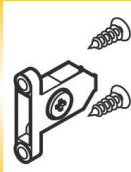
Nominal Length	Stainless Steel	Metallic Grey
270mm	358M2702I	358M2702S
350mm	358M3502I	358M3502S
400mm	358M4002I	358M4002S
450mm	358M4502I	358M4502S
500mm	358M5002I	358M5002S
550mm	358M5502I	
650mm	358M6502I	

3 Back
fixing
brackets
left/right



Grey	Z30B000SG
Nickel	Z30B000SN

4 Front
fixing
brackets
- pair



Screw-on
ZSF.3502



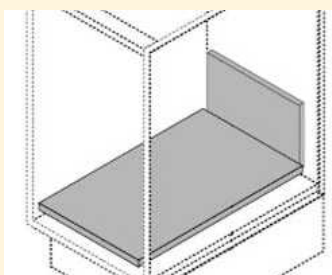
Knock-in
ZSF.3602

5 Lateral Gallery rails
left/right



Nominal Length	Chrome	Grey	Nominal Length	Chrome
400mm		ZRG.346VG	550mm	ZRG.496VC
450mm	ZRG.396VC	ZRG.396VG	650mm	ZRG.596VC
500mm	ZRG.446VC	ZRG.446VG		

Tandembox Drawer Base and
Back in metallic finish only.
Available from stock



Tandembox Base and Back 450mm deep

TB30045	Tandembox base and back 300mm
TB40045	Tandembox base and back 400mm
TB45045	Tandembox base and back 450mm
TB50045	Tandembox base and back 500mm
TB60045	Tandembox base and back 600mm
TB80045	Tandembox base and back 800mm
TB90045	Tandembox base and back 900mm
TB100045	Tandembox base and back 1000mm
TPG50045	Tandembox + gallery base and back 500mm
TPG60045	Tandembox + gallery base and back 600mm
TPG80045	Tandembox + gallery base and back 800mm
TPG90045	Tandembox + gallery base and back 900mm
TPG100045	Tandembox + gallery base and back 1000mm

Tandembox Base and Back 500mm deep

TB30055	Tandembox base and back 300mm
TB40055	Tandembox base and back 400mm
TB45055	Tandembox base and back 450mm
TB50055	Tandembox base and back 500mm
TB60055	Tandembox base and back 600mm
TB80055	Tandembox base and back 800mm
TB90055	Tandembox base and back 900mm
TB100055	Tandembox base and back 1000mm
TPG50055	Tandembox + gallery base and back 500mm
TPG60055	Tandembox + gallery base and back 600mm
TPG80055	Tandembox + gallery base and back 800mm
TPG90055	Tandembox + gallery base and back 900mm
TPG100055	Tandembox + gallery base and back 1000mm